

# **marantz®**

## **Model MOUNT10 User Guide**

---

VP-10S1 DLP Projector Mount

### IMPORTANT SAFETY INSTRUCTIONS READ BEFORE INSTALLING EQUIPMENT

This product was designed and manufactured to meet strict quality and safety standards. There are, however, some installation and operation precautions which you should be particularly aware of.

1. Read instructions - All the safety and operating instructions should be read before the product is operated.
2. Retain instructions - The safety and operating instructions should be retained for future reference.
3. Heed warnings - All warnings on the product and in the operating instructions should be adhered to.
4. Follow instructions - All installation instructions should be followed.
5. Use only the parts provided with the mount, along with any parts (commercially available) that are specified in this manual.
6. Do not modify the mount or the parts provided with the mount.
7. Do not use damaged parts. If any parts become damaged, contact your dealer.
8. All bolts and screws must be tightened securely.
9. Make sure not to block any ventilation openings when installing the projector.
10. Special techniques and experience are required when installing the projector with this mount. Contact your dealer to install the projector for you.
11. Once the projector is installed, safety checks should be conducted on a regular basis.

### Warning

The ceiling should be capable of supporting a weight of at least five (5) times the projector(s) weight. If it cannot, the ceiling must be reinforced. Proper installation procedure by qualified personnel as outlined in the installation instructions must be adhered to. Failure to do so could result in serious personal injury.

### Hardware List

- |                                     |                                      |
|-------------------------------------|--------------------------------------|
| 1. Four (4) 3/8 (inch) nuts         | 7. Eight (8) 6 (mm) flat washers     |
| 2. Four (4) 3/8 (inch) flat washers | 8. One (1) Ceiling Mount #1          |
| 3. Two (2) 8 (mm) screws            | 9. Two (2) Base Plate Connectors     |
| 4. Fourteen (14) 6 (mm) screws      | 10. One (1) Horizontal Tilt Plate #2 |
| 5. Eight (8) 6 (mm) rubber washers  | 11. One (1) Horizontal Tilt Plate #3 |
| 6. Two (2) 8 (mm) rubber washers    | 12. One (1) Projector Plate #4       |

### Adjustment Ranges and Load Allowances

Horizontal Tilt (yaw) <input type="checkbox"/>	<input type="checkbox"/>	<input type="checkbox"/>	<input type="checkbox"/>	+/- 4 degrees
Vertical Tilt (tilt) <input type="checkbox"/>	<input type="checkbox"/>	<input type="checkbox"/>	<input type="checkbox"/>	+/- 8 degrees
Rotation <input type="checkbox"/>	<input type="checkbox"/>	<input type="checkbox"/>	<input type="checkbox"/>	+/- 15 degrees
Lateral Shift <input type="checkbox"/>	<input type="checkbox"/>	<input type="checkbox"/>	<input type="checkbox"/>	+/- 4 1/2 inches
Maximum Load Allowance <input type="checkbox"/>	<input type="checkbox"/>	<input type="checkbox"/>	<input type="checkbox"/>	450 Lbs.

### PROJECTOR MOUNT INSTALLATION INSTRUCTIONS

#### Step 1

#### Base Plate Connectors #1 and Projector Mount Ceiling Plate 1 with ceiling mounting holes #2.

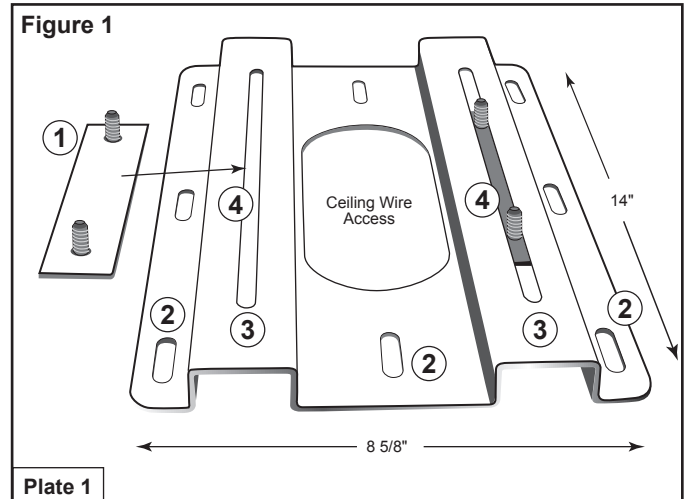


Plate 1  
Base Plate Connectors #1  
Projector Mount Ceiling Plate 1

Insert Base Plate connectors #1 into the lateral positioning slots #3 as shown in #4 from the underside of Plate 1. The lateral positioning slots will give you 4 1/2" inches of lateral adjustment for projector alignment.

#### Step 2

#### Horizontal Adjustment Plate 2 (Base Plate Connector Holes #3).

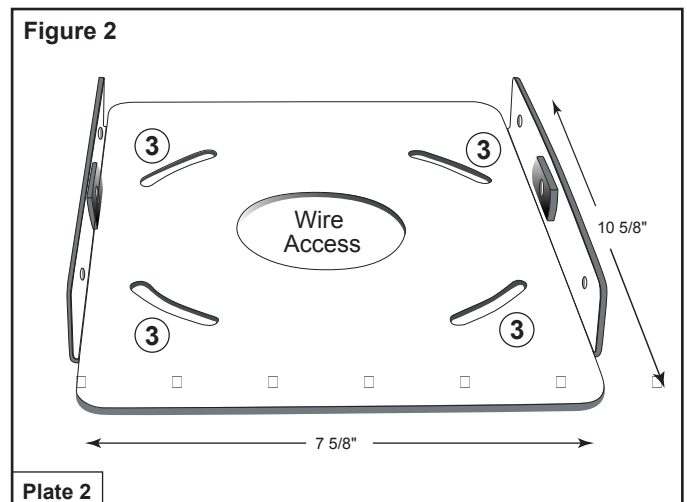


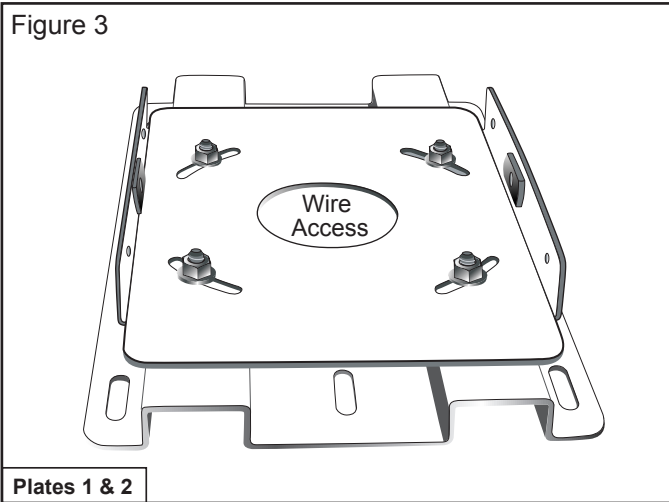
Plate 2

Base plate connector holes #3 provide 15 degrees of horizontal adjustment.

Attach horizontal adjustment Plate 2 to projector mount ceiling Plate 1 using the four (4) 3/8" (inch) nuts and washers provided.

**Step 2 B**

**Horizontal Adjustment Plate 2 (Figure 2) attached to Projector Mount Ceiling Plate 1.**

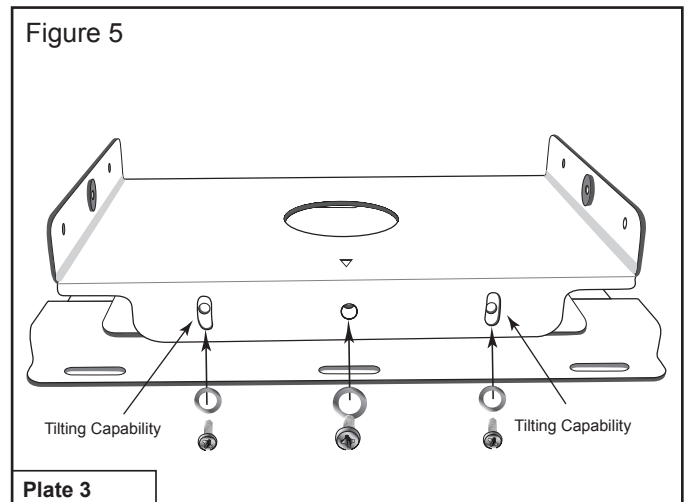


Install the combined plates (above) securely to the ceiling structure in accordance with local commercial building standards.

Use suitable hardware in adequate quantity and size depending on the installation requirements. (Please note that Projector VP-10S1 weighs 90.3 lbs. (41kgs).

**Step 3 B**

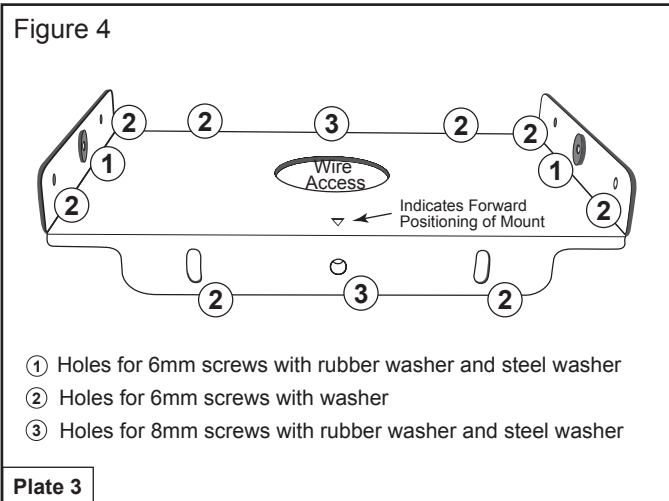
**Horizontal Tilting Plate 3 Attached to Plates 1 and 2.**



The newly combined Plate 3 provides 8° degrees of horizontal tilt. When positioned, tighten with screws and washers provided.

**Step 3**

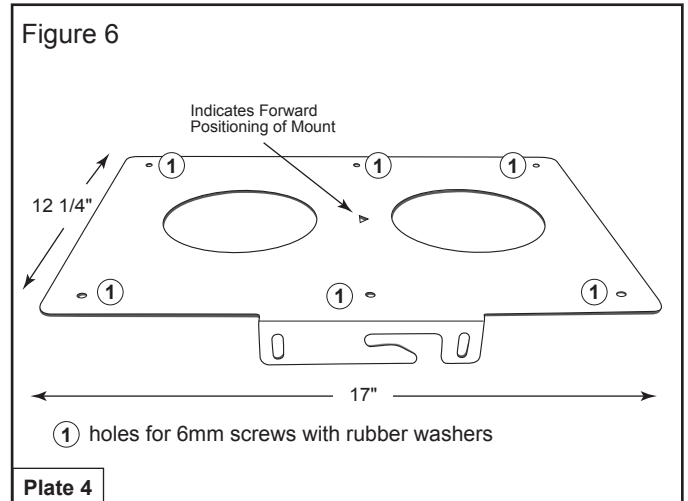
**Horizontal Tilting Plate 3**



Attach Horizontal Tilting Plate 3 to the previously combined plates (already installed on ceiling) using the two (2) 8 (mm) screws with rubber washers, steel washers and four (4) 6 (mm) screws with washers provided, as indicated in Figure 4. Install two (2) 6 (mm) screws with rubber spacers and metal washers into the welded metal studs (indicated #1) Tighten halfway.

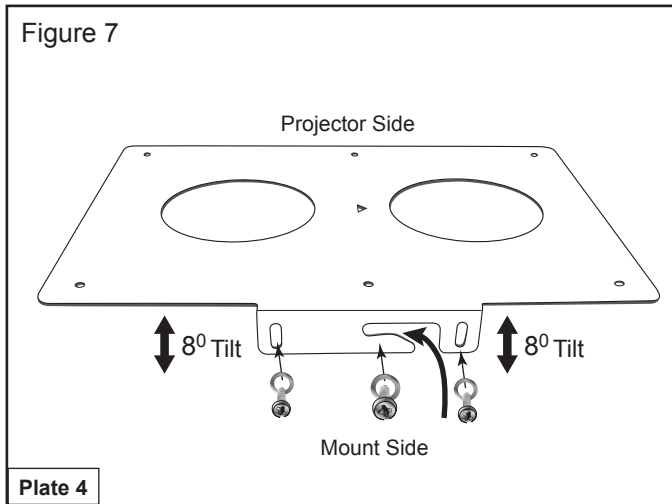
**Step 4**

**Projector Mounting Plate 4**

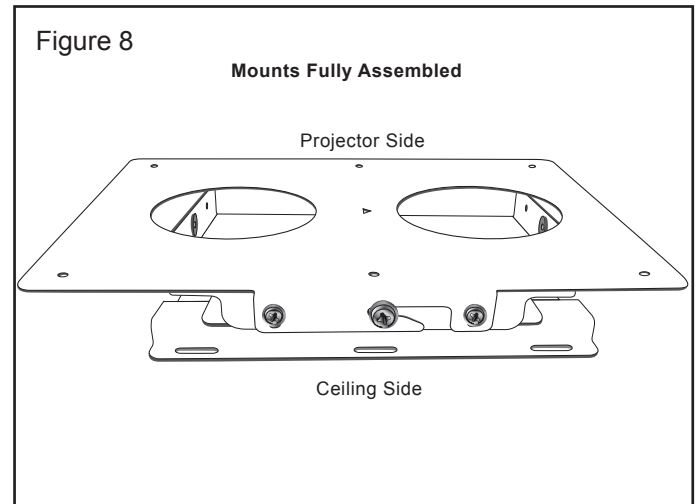


Invert the projector and place it on a soft and flat surface. Align the six (6) rubber spacers provided with the six (6) 6 (mm) mounting holes on the projector and secure with the six (6) 6 (mm) screws provided.

**Step 4 B**  
**Projector Mounting Plate 4 (continued)**



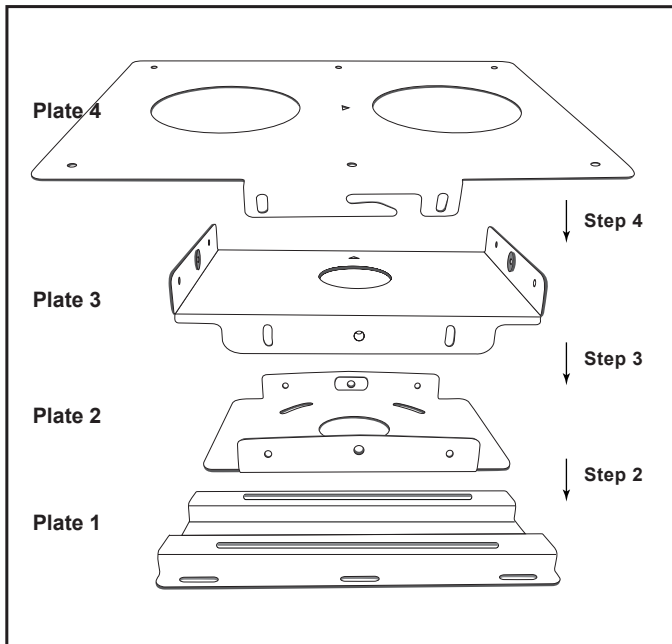
**Projector Mounting Plate 4 connected to Mounting Plate 3**



Work in a group of 4 or more to carry the projector and follow manufacturer's guidelines for relocating as stated in the VP-10S1 owner's manual.

Lift and slide the projector onto the 6 (mm) screws previously installed in the metal studs of the plate on the ceiling (see arrow in Figure 7). Tighten the six (mm) screws on both sides of the mount and install four (4) 6 (mm) screws and washers into the side of the projector Mounting Plate 4.

**Sequence of Assembly of Projector Mounting Plates**



**marantz®**

1100 Maplewood Drive  
 Itasca, IL 60143

Phone: 630 741-0300 Fax: 630 741-0301

You can find your nearest authorized distributor or dealer  
 on our website at: [www.marantz.com](http://www.marantz.com)