



marantz®

Network Audio Receiver
NR1200

Quick Start Guide

Kurzanleitung / Guide de démarrage rapide / Guida di Avvio Rapido /
Guía de inicio rápido / Snelhandleiding / Snabbstartsguide /
Краткое руководство пользователя / Skrócona instrukcja obsługi

Read Me First....

Bitte zuerst lesen... / Lisez-moi en premier.... / Nota preliminare.... /
Lea esto primero.... / Lees mij eerst... / Läs detta först... /
Прочитайте в первую очередь... / Przeczytaj to najpierw....

ENGLISH

DEUTSCH

FRANÇAIS

ITALIANO

ESPAÑOL

NEDERLANDS

SVENSKA

РУССКИЙ

POLSKI

Welcome

Thank you for choosing a Marantz audio receiver.

This guide provides step-by-step instructions for setting up your audio receiver.

Please do not return this unit to the store – call for assistance.

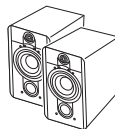
If you need help... :

If you need additional help in solving problems, contact Marantz customer service in your area.

www.marantz.com

Before You Begin

Required for Setup

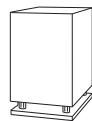


Speaker systems



Speaker cables

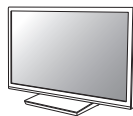
Optional



Subwoofer



Subwoofer cable



TV



HDMI cable



LAN cable

or













Wi-Fi router



- When connecting this unit to a device that is compatible with the Deep Color, 4K and ARC functions, use a “High Speed HDMI cable with Ethernet” that displays the HDMI logo.
- These drawings are for illustrative purposes only and may not represent the actual product(s).

What's In the Box

Quick Start Guide		Power cord	
Safety Instructions		DAB/FM indoor antenna	
Cautions on Using Batteries		Remote control unit (RC041SR)	
Notes on radio		R03/AAA batteries	
Receiver		External antennas for Bluetooth / wireless connectivity	

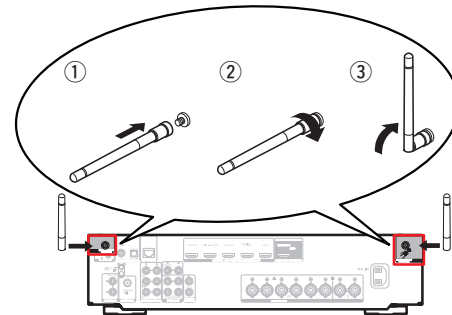
Important: External Antennas

The removable external antennas are required for both Bluetooth and Wireless network connectivity. Please make sure to connect the antennas before attempting to use the Bluetooth or Wi-Fi features of the NR1200.

❑ Connecting the external antennas for Bluetooth / Wireless connectivity

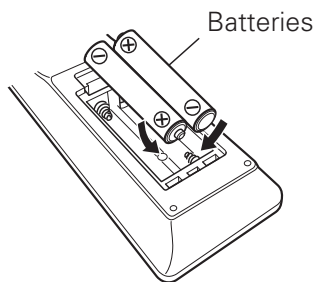
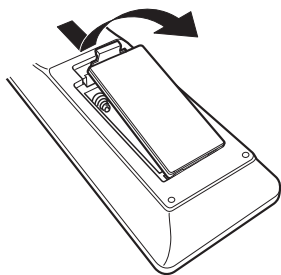
For each of the two antennas:

- ① Place the antenna evenly over the antenna terminal located at the upper left or right corner of the rear panel.
- ② Turn the antenna clockwise until it is fully connected. Do not over tighten.
- ③ Rotate the antenna upwards for the best possible reception.



Setup

1 Installing batteries in the remote control unit



2-1 Setup by connecting to TV

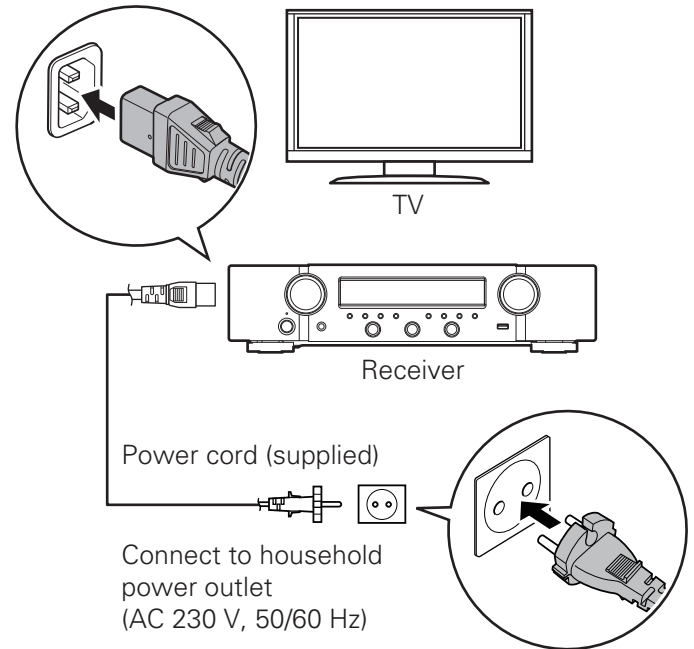
Page 4

2-2 Setup without connecting to TV

Page 9

2-1 Setup by connecting to TV

1) Place the receiver near your TV and connect the power cord

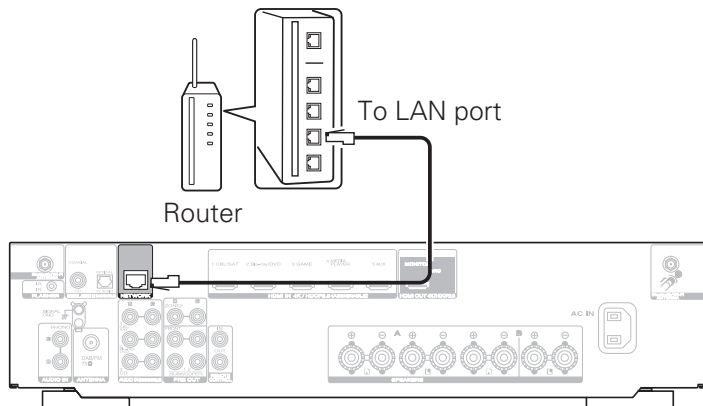


2-1 Setup by connecting to TV

2) Connect the receiver to your home network

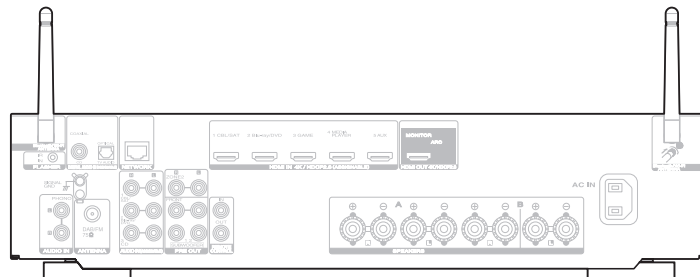
Wired LAN

Connect an Ethernet cable (not included) between your receiver and your network router.

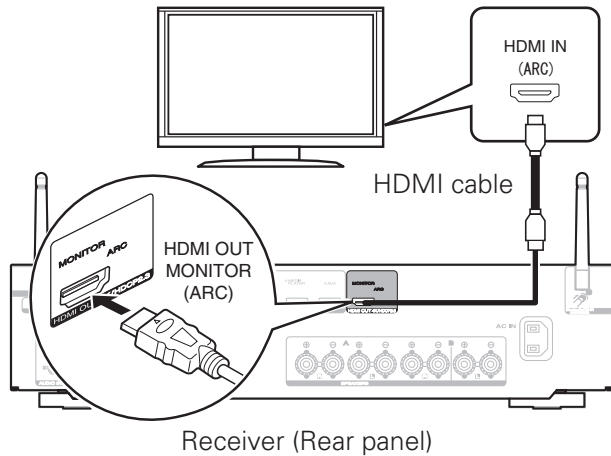


Wireless LAN

When connecting to wireless LAN (Wi-Fi), follow the instructions in "Connecting the external antennas for Bluetooth / Wireless connectivity" (page 2) and connect the antennas.



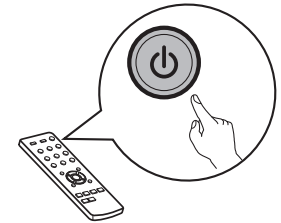
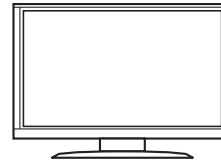
3) Connect the receiver to your TV with an HDMI cable



ARC (Audio Return Channel):

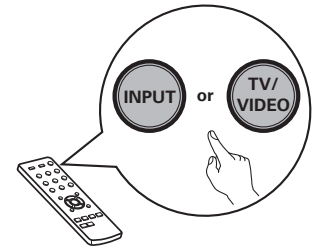
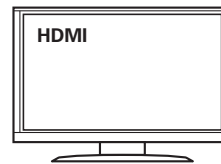
If your TV supports ARC, your TV can send audio back to the receiver when you are using your TV's built-in video sources (TV tuner, Smart TV streaming services, etc.) ARC requires that you enable HDMI CEC on your TV. Please refer to your TV's Owner's Manual for instructions on how to setup HDMI CEC. Note that some TV Manufacturers use other names for the HDMI CEC function.

4) Turn on the TV



TV remote control unit

5) Select the appropriate HDMI input on your TV

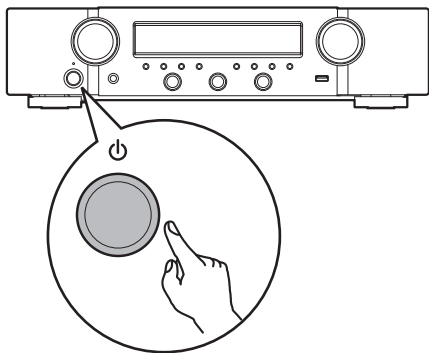


TV remote control unit

2-1 Setup by connecting to TV

6) Turn on the receiver

- Press  to turn on the receiver.



7) Verify the connection

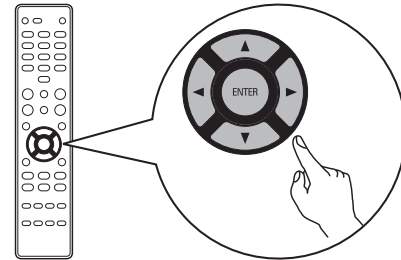
- Verify that you can see this screen on your TV.



If this screen is not displayed, please go back and retry the steps again in the recommended sequence.

8) Now TV is connected to the receiver, please follow the on-screen setup assistant

The Setup Assistant will walk you through connecting and configuring your speakers and components to your Marantz receiver. Please use the remote control and follow the on-screen instructions.

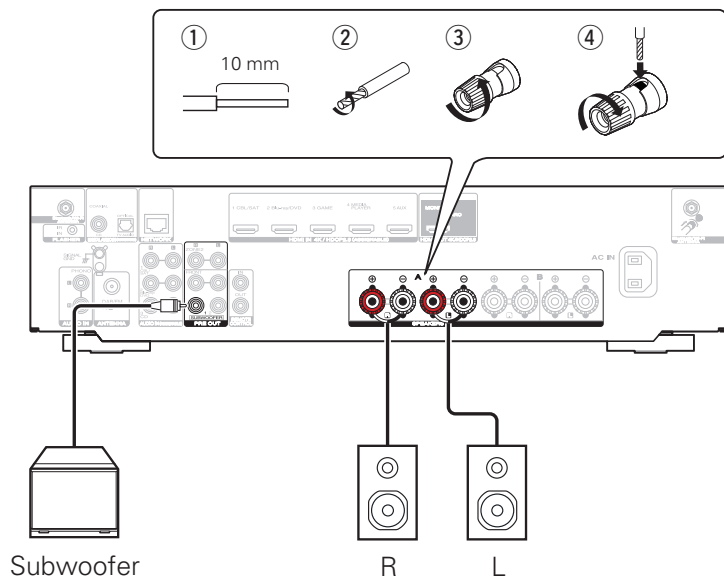


After completing the On-Screen Setup Assistant

Page 21

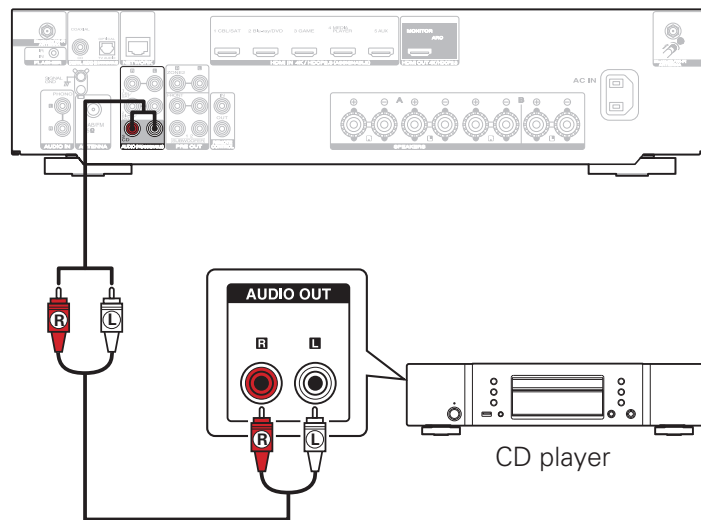
2-2 Setup without connecting to TV

1) Connecting to speakers

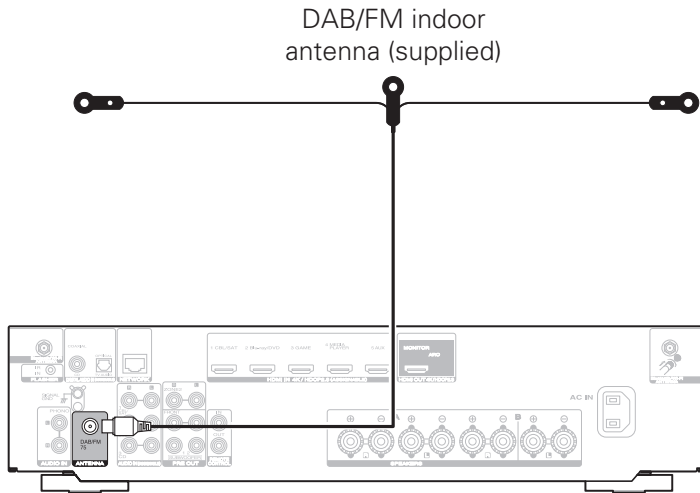


2) Connecting to the playback equipment in accordance with instruction on the rear panel

Ex.) Connecting to CD player

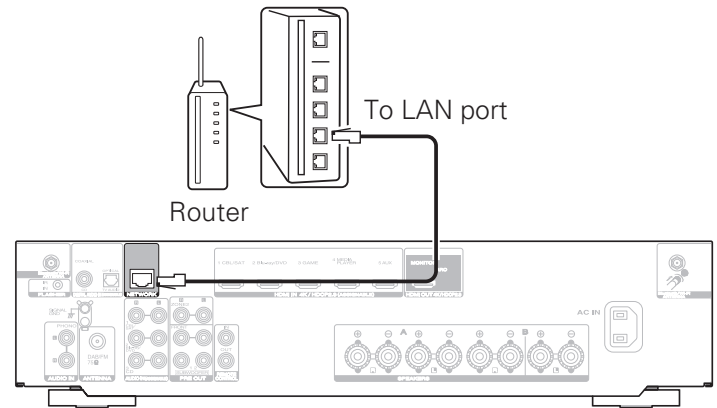


3) Connecting to antenna of tuner



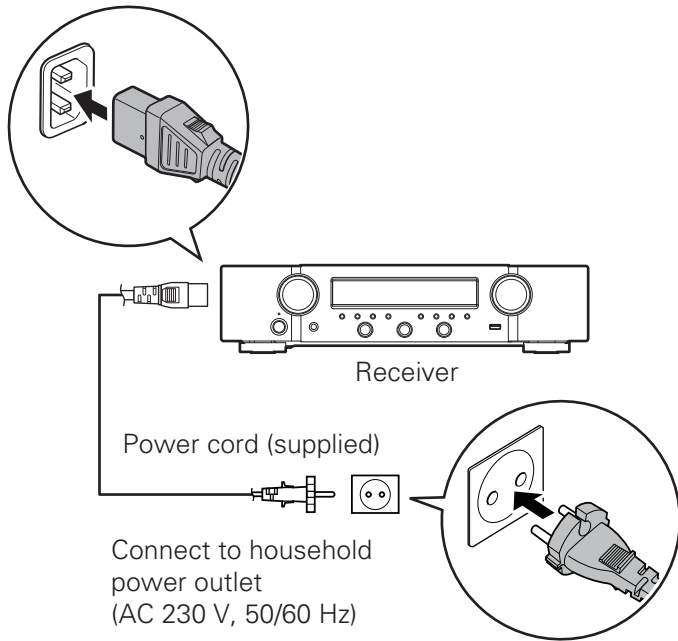
4) Connecting to an Ethernet cable

If you want to connect the receiver to your Home Network via Wireless LAN, you can skip this step and go to "5) Connect the power cord".

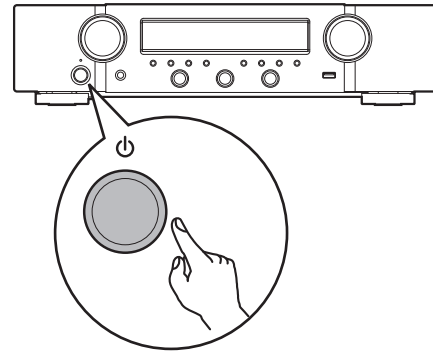


2-2 Setup without connecting to TV

5) Connect the power cord

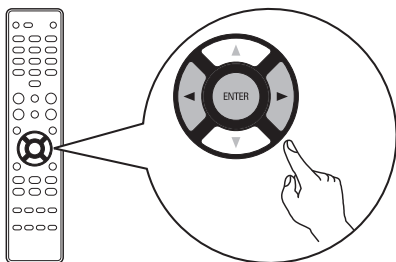


6) Turn on the receiver



7) On the display of "Setup on TV", use ◀ ▶ to select "No", then press ENTER

Setup on TV: ▶ No



On-Screen Setup Assistant is cancelled and the receiver is available to use. In addition, the receiver is able to be set up from Setup Menu whenever you want.

Connect the receiver to the Home network via Wireless LAN.

Page 13

When the Ethernet Cable is connected and the Wireless LAN is not used.

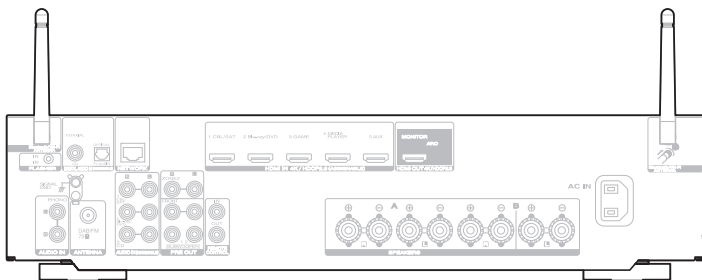
Page 21

2-2 Setup without connecting to TV

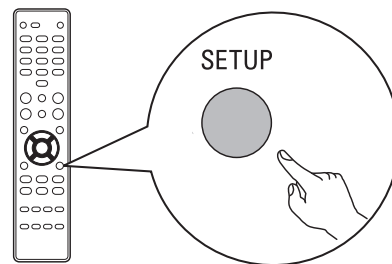
8) Connect Wireless LAN

8.1) Connect the two antennas.

When connecting to wireless LAN (Wi-Fi), follow the instructions in "Connecting the external antennas for Bluetooth / Wireless connectivity" (☞ page 2) and connect the antennas.



8.2) Press SETUP on the remote control.



You can see the following on the display.

Audio

8.3) Use \triangle / ∇ to select “Network”, then press ENTER.



Network

8.4) Use \triangle / ∇ to select “Connection”, then press ENTER.



Connection



- “Connection” can’t be selected while network module is setting up. Please wait for the completion of this setting up. This might take up to 1 minute.

8.5) Select “Connect: Wi-Fi”.



Connect:Wi-Fi



- If “Connect: Wired” is displayed, press ENTER, use \triangle / ∇ to select “Wi-Fi” and press ENTER.

8.6) Use \triangle / ∇ to select “Wi-Fi Setup”, then press ENTER.



Wi-Fi Setup

2-2 Setup without connecting to TV

8.7) Choose from one of the following options.

Scan Network

Select the network from the network list.



Wi-Fi router

① Use Δ / ∇ to select "Scan Network", then press ENTER.

Scan Network



Use iOS Device (iOS version 7 or later)

By connecting the receiver with iOS Device (iPhone/iPod/iPad), the receiver can be connected to the network automatically.



① Use Δ / ∇ to select "Use iOS Device", then press ENTER.

Use iOS Device



WPS Router

Use a WPS-compatible router to connect using the push button method.



Wi-Fi router

① Use Δ / ∇ to select "WPS Router", then press ENTER.

WPS Router



Manual

Enter the name (SSID) and password of the network you wish to connect to.

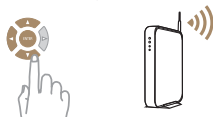
① Use Δ / ∇ to select "Manual", then press ENTER.

Manual



- ② Use Δ / ∇ to select the network, then press ENTER.
(Use \leftarrow to select "Rescan" if your network name is not listed.)

Network Name



- ② Make sure your iOS device is connected to your Wi-Fi Network. Select the network named "Marantz NR1200" from the Settings/Wi-Fi screen on your device.



- ② Switch to the WPS mode by pressing the WPS button of the router you wish to connect to.



- ② Use Δ / ∇ to select "SSID" and press ENTER, enter the name (SSID) of the network, then select "OK" which is at the end of the character table. For how to input, check Page 18.

SSID



- ③ Use Δ / ∇ to select "Sec" and press ENTER, then use \leftarrow / \rightarrow to select the encryption method according to the setting of access point.

Sec : ◀ WPA2(AES) ▶



2-2 Setup without connecting to TV

Scan Network

- ③ Use $\Delta \nabla \triangleleft \triangleright$ to input password, then select "OK" which is at the end of the character table. For how to input, check next page.



Use iOS Device

- ③ Follow the instructions and tap Next.



WPS Router

- ③ Use $\triangleleft \triangleright$ to select Connect, then press ENTER within 2 minutes.



Manual

- ④ Use $\Delta \nabla$ to select "Password" and press ENTER, input password, then select "OK" which is at the end of the character table.



- ⑤ Use $\Delta \nabla$ to select "Connect", then press ENTER.



Confirm "Success" on the display and press SETUP on the remote to exit the menu.

Success

**Wi-Fi
Connected !**

The display of inputting characters and how to input

The display is showed as below when the input of SSID or password is required.



- ① Shows a current selected character.
- ② Shows current input text.

How to input

The characters are arranged as shown in the below tables. The Upper case / Lower case is switched by selecting [a/A].

- 1) Use $\Delta \nabla \triangleleft \triangleright$ to select the character to be input.
- 2) Press ENTER to input the selected character.

Lower case characters

Clear	Insert	Delete	\triangleleft	\triangleright								
a	b	c	d	e	f	g	h	i	j	k	l	m
n	o	p	q	r	s	t	u	v	w	x	y	z
0	1	2	3	4	5	6	7	8	9	.	@	-
_	/	:	~	?	[\]	^	'	{		}
a/A	Space	Cancel	OK									

Upper case characters

Clear	Insert	Delete	\triangleleft	\triangleright								
A	B	C	D	E	F	G	H	I	J	K	L	M
N	O	P	Q	R	S	T	U	V	W	X	Y	Z
0	1	2	3	4	5	6	7	8	9	!	"	#
\$	%	&	'	()	*	+	,	;	<	=	>
a/A	Space	Cancel	OK									

Example

Input the "A".

- ① Press ∇ four times.
[a] is changed to [a/A].

- ② Press ENTER.
Character table is switched.

- ③ Press Δ four times.
[a/A] is changed to [A].

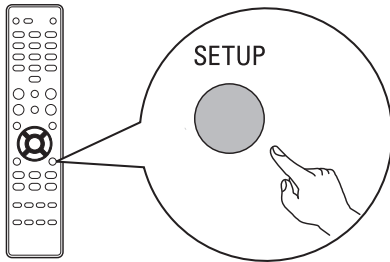
- ④ Press ENTER.
"A" is input.

2-2 Setup without connecting to TV

9) Network Control Setting

Setting the Network Control to on enabled to control your receiver using smartphone apps, home automation system, Apple AirPlay or Amazon Alexa voice service.

9.1) Press **SETUP** on the remote control.



You can see the following on the display.

Network

9.2) Use Δ / ∇ to select “Network”, then press **ENTER**.

Network

9.3) Use Δ / ∇ to select “Network Control”, then press **ENTER**.

Network Control

9.4) Press ENTER, then use ◀ ▶ to set the Network Control setting, after that press ENTER again.



NetCtrl: ◀Off▶

Select “NetCtrl” (Network Control) to “Off” to reduce the power consumption during standby. You can not turn on your receiver from your smartphone or use Bluetooth/Apple AirPlay/HEOS App/Amazon Alexa until your receiver is powered on manually and connects to your network.



NetCtrl: ◀Always▶

Select “NetCtrl” (Network Control) to “Always” to control your receiver from your smartphone, use Bluetooth/Apple AirPlay/HEOS App/Amazon Alexa voice service and maintain constant network access. Power consumption during standby power will be slightly higher.

9.5) Press SETUP to exit the setup menu.

3 Downloading the Mobile Apps

Download both the “HEOS” App and the “Marantz 2016 AVR Remote” App for the full home entertainment experience. The HEOS App is required to access online music through your AVR.

HEOS



The HEOS App allows you to explore, browse, and play music from many online streaming services or from your own music library.

Marantz 2016 AVR Remote



Control your new AVR with the latest Marantz 2016 AVR Remote App. Volume control, sound mode selection and advanced settings are always only a tap away.



Owner's Manual

- For more information, visit www.marantz.com
- Refer to the Online Manual for other functions information and operation procedure details.
manuals.marantz.com/NR1200/EU/EN/



Online Manual



www.marantz.com

You can find your nearest authorized distributor or dealer on our website.

marantz[®] is a registered trademark.